



INDEPENDENCE, INC.

Safe Independent Mobility



Owner's Manual

WARNING

Carefully read, understand and follow the instructions provided in this manual, and keep it in a safe place for future reference. If you have any doubt whatsoever regarding the use or maintenance of any B&D product, please contact B&D Independence, Inc. Failure to follow these warnings and instructions can result in product malfunction and loss of control of the vehicle, causing an accident, severe personal injury or death.

Dear Purchaser,

Thank you for purchasing a B&D Independence, Inc. Transfer Seat Base. Your product has been designed to provide years of safe and dependable service, as long as it is used and maintained in accordance with the instructions provided in this manual.

All persons who will use and/or maintain this product must read, understand and follow all warnings and instructions provided in this manual. This Owner's Manual should be considered an integral part of your product and should remain with your product. However, nothing in this manual, and none of the safety devices installed on the product, can substitute for proper training, careful operation and common sense. Always be sure that your product is in optimum working order. If you suspect that anything is not working properly, or that a dangerous situation may exist, immediately contact your dealer before you proceed.

If you have any questions concerning the proper use or maintenance of your product, please call your authorized B&D Independence, Inc. Dealer.

Sincerely

B&D Independence, Inc.

INTRODUCTION

PURPOSE OF THE MANUAL




The purpose of this manual is to provide the instructions necessary for optimum use and maintenance of the B&D Transfer Seat Base.

Your B&D Transfer Seat Base is to be installed and maintained only by a qualified and trained technician. Never attempt any repairs yourself.

NOTICE: Design details are subject to change. Some illustrations may vary slightly in appearance from the product you have.

LEGEND

To emphasize certain information and procedures regarding the operation and maintenance of the B&D Transfer Seat Base, the following symbols may be used in the manual:

 DANGER:	Indicates an imminently hazardous situation which, if not avoided, will result in death or serious injury.
 WARNING	Indicates a potentially hazardous situation which, if not avoided, could result in death or serious injury.
 CAUTION:	Indicates a potentially hazardous situation which, if not avoided, may result in minor or moderate injury.
NOTICE:	Indicates important information relevant to the Equipment, the operation, maintenance, or other use of the Equipment, or to sections of this manual to which particular attention must be paid.

GENERAL WARNING AND INSTRUCTIONS

WARNING

Failure to follow all of the warnings and instructions in this manual could cause product malfunction, loss of control of the vehicle and an accident, resulting in severe personal injury or death to the vehicle occupants, other drivers or pedestrians.

1. Throughout this manual reference is made that “an accident” could occur. Any accident could cause severe personal injury or death, or result in property damage.
2. B&D Transfer Seat Base must be installed, maintained and repaired only by B&D Independence, Inc. or an authorized dealer.
3. Before driving your car for the first time, know the location and function of all controls. Read entire manual before using your Transfer Seat Base.
4. Never attempt any adjustment of the Transfer Seat Base while driving.
5. Only drive your vehicle with the Transfer Seat Base in the full forward, full down position. Any other position is dangerous.
6. Keep all bystanders clear while operating Transfer Seat Base.
7. Exercise caution when using and storing the remote control. Keep the wire and housing clear from any moving parts or closing doors, and keep them safe from any other damage. Erratic and unexpected seat movement could result while driving the vehicle, resulting in an accident.

8. Do not excessively recline your seat back during the transferring process. It could contact the side wall, door panel or window of the vehicle while the Transfer Seat Base is moving, resulting in vehicle damage.
9. If you experience any malfunction or erratic operation of the Transfer Seat Base, DO NOT USE THE VEHICLE. Contact B&D or an authorized distributor for inspection and repair.
10. If your Transfer Seat Base does not have the footrest feature, special care should be taken to keep your lower extremities clear of the rails, gears and motors.
11. If your Transfer Seat Base is equipped with the footrest feature, always keep your feet on the footrest while operating the Transfer Seat Base. Failure to do so could cause your lower extremities to be injured by moving parts of the Transfer Seat Base.
12. Do not modify the B&D Transfer Seat Base.
13. After 30 days, the vehicle must be returned to the authorized dealer which installed the B&D Transfer Seat Base for a complete inspection.
14. Every six (6) months thereafter, the vehicle must be returned to an authorized dealer for a complete inspection of the B&D Transfer Seat Base.
15. Crushing Hazard. Moving Parts Present. Contact with moving parts could result in an accident.
 - Keep hands, fingers and body parts away from moving parts.

Positioning Your Transfer Seat Base

Your Transfer Seat Base is designed with your safety and security in mind. When your vehicle is in operation, B&D Independence always recommends your Transfer Seat Base be as close to the full forward, full down position as possible. However, for some users, this may not always be the most comfortable or effective position for vehicle operation.

B&D has added a range of crash-tested positions known as the Comfort Zone. The Comfort Zone offers flexibility in arranging your Transfer Seat Base while maintaining the safety you've come to expect from B&D Independence.

The Comfort Zone is available for all Comfort Series Transfer Seat Bases. Your Comfort Zone allows your Transfer Seat Base to be positioned:

- At any preferred driving height
- Up to four inches away from the full-forward position



WARNING

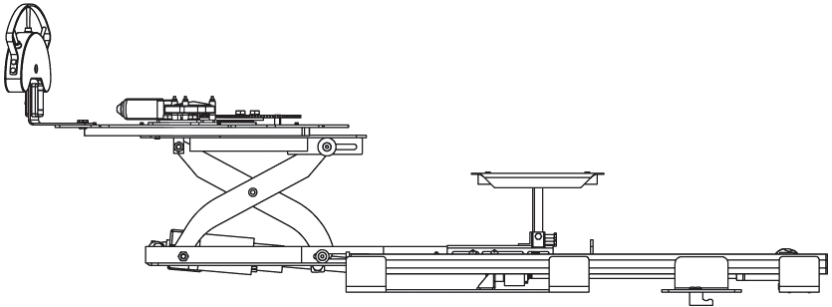
Always operate your vehicle with the Transfer Seat Base as far forward and down as possible to reduce the risk of Seat Belt or Airbag failure.

Transfer Seat Base Operation

Follow this specific order of operation for your switch controls. Specific switch controls are discussed further in this owner's manual; however, general operation of a Transfer Seat Base (referred to as a TSB in these steps) is:

From the Full-Back, 'Transferring Position:'

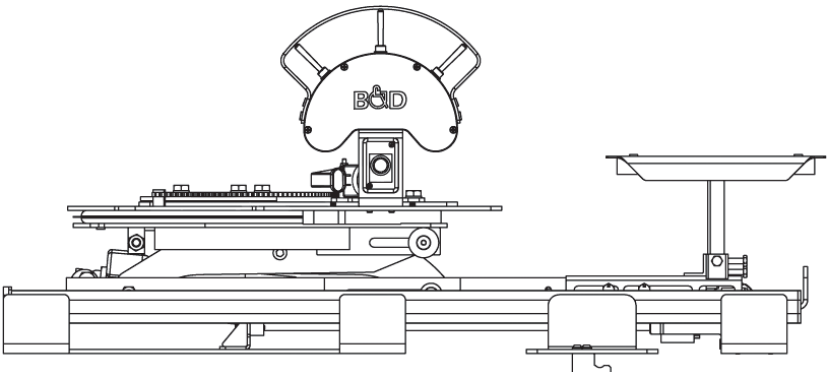
- Swivel the TSB to face fully forward
- Lower the TSB to your preferred driving height
- Move the TSB to within four inches of the full-forward position



Transfer Seat Base in Full-Back 'Transferring' Position

From the Full-Forward, 'Driving Position:'

- Move the TSB to the full-back position
- Raise the TSB to your preferred transfer height
- Swivel the TSB to your preferred transferring angle



Transfer Seat Base in Full-Forward 'Driving' Position

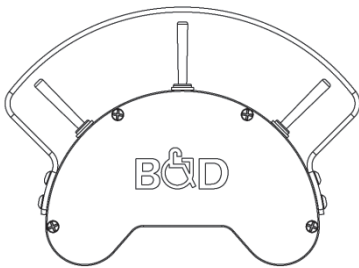
Switch Operation (Easy Access Switchbox)

Your Transfer Seat Base may come equipped with an Easy Access Switchbox. The Easy Access Switchbox may have two or three toggle switches, depending on the model of Transfer Seat Base you own. Each of the toggle switches is visibly marked to assist you in the transferring process:

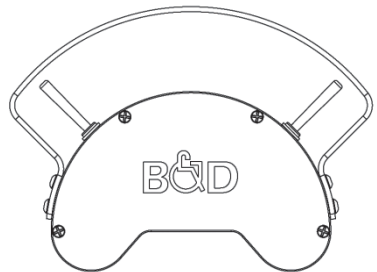
- The Forward-Most Toggle Switch will slide the Transfer Seat Base Forward and Backward.
- The Middle Toggle Switch will Raise and Lower the Transfer Seat Base.
- The Rearward-Most Toggle Switch will Swivel the Transfer Seat Base, from Inward to Forward-Facing.

The Toggle Switches follow the Order of Operation for your proper Transferring.

- Operating the Toggle Switches from Most-Forward to Most-Rearward will bring you from the Driving Position to the Transferring Position.
- Operating the Toggle Switches from Most-Rearward to Most-Forward will bring you from the Transferring Position to the Driving Position.



Easy Access Switchbox
6 Way Transfer Seat Base



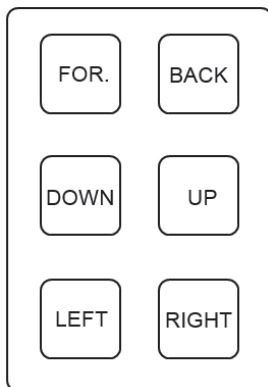
Easy Access Switchbox
4 Way Transfer Seat Base
Model L75 Only

Switch Operation (Hand Held Pendant)

Your Transfer Seat Base may come equipped with a Hand Held Pendant (remote control). Six buttons occupy the recessed front of the pendant and are labeled for ease of use:

- 'For.' and 'Back' – Control Forward and Backward Function
- 'Down' and 'Up' – Control Up and Down Function
- 'Left' and 'Right' – Control Left and Right Swivel Function

These buttons are located in order to assist you with transferring in and out of your OEM Seat. For Transfer Seat Bases that are in the Front Driver Position, starting from the top of the Hand Held Pendant, all buttons on the right-hand side of the Pendant will bring the Transfer Seat Base to the full back, 'Transferring' Position. Once the Transfer is complete, the buttons on the left-hand Side of the Pendant will bring the Transfer Seat Base to the full forward, 'Driving' Position, starting from the bottom, 'Left' button and working your way up the left-hand side.



Hand Held Pendant
Front View

Passive Interlock System

Your Transfer Seat Base may come equipped with an Interlock System that promotes safety during vehicle and seat base operation. The Interlock System ensures that the Transfer Seat Base is returned to the Driving Position, which is defined as fully swiveled forward, within four inches of the full forward position and in any vertical position that is comfortable. Once the vehicle is in operation the interlock prevents accidental movement of the Transfer Seat Base.

Emergency Override



If an emergency arises, the override switch on the interlock module will bypass all safety features and allow the Transfer Seat Base to move with the Vehicle running. **This feature is to be used for emergencies only.** The interlock will sound an audible alarm and an indicator will be lit until the switch is turned off and, if the vehicle is on, the Transfer Seat Base returned to the Driving Position.

Interlock Troubleshooting

To verify that your Interlock System is working properly, check these five conditions:

1. When the ignition is off, push the override switch to the opposite direction; the alarm will sound and the indicator will be lit. Push the override switch back to original position to cancel alarm and indicator.
2. When the ignition is off, the Transfer Seat Base should move in all directions.
3. When the ignition is on, the Transfer Seat Base should not move.
4. When the Transfer Seat Base is in the Driving Position, the vehicle should crank and start; no alarm will sound.
5. When the Transfer Seat Base is not within the Driving Position, an alarm will sound when the vehicle is started.

You should conduct this check at least once every six (6) months. If you have any doubt whatsoever regarding the operation of the Interlock System, please contact B&D Independence, Inc. or your authorized dealer.

NOTICE

Do not leave the Interlock 'Over-Ride' Mode on when not in use; it will drain the battery when the ignition is off.

ComfortSafe™ Footrest

Your Transfer Seat Base may come equipped with a ComfortSafe™ Footrest designed to present a comfortable place for you to place your feet. Care should be taken to insure your feet are securely positioned on the ComfortSafe™ Footrest when moving forward and back.

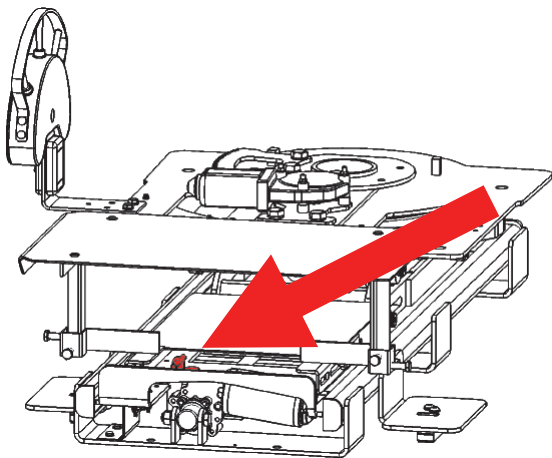
- The curved edge of the ComfortSafe™ Footrest is designed to avoid injury to your lower legs and ankles when swiveling your Transfer Seat Base to the forward facing position.
- Always keep your feet on the ComfortSafe™ Footrest while operating Transfer Seat Base. Failure to do so could cause your lower extremities to be injured by moving parts of the seat base.
- On select models, the ComfortSafe™ Footrest is capable of both vertical and horizontal adjustment. Speak with your dealer to adjust the footrest to a comfortable driving position.



Safety Release Mechanism

Your Transfer Seat Base may come equipped with a "Peace of Mind" Safety Release Mechanism. This mechanism provides a manual system to move the Transfer Seat Base away from the steering wheel in the event of a power failure.

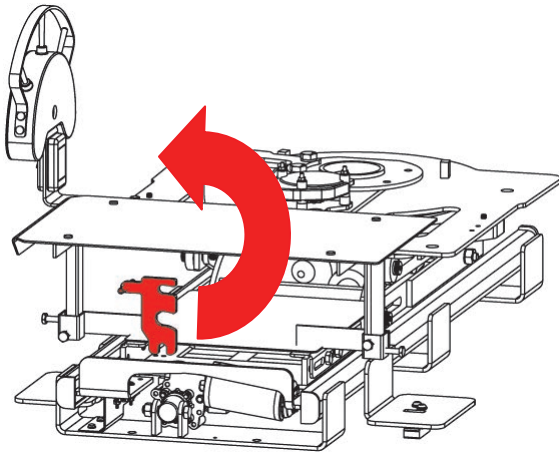
The handle for the Safety Release Mechanism is located underneath your ComfortSafe™ Footrest. It has been painted bright red for easier identification.



Locate the Safety Release Handle Under the ComfortSafe™ Footrest

To activate the Safety Release Mechanism, you must break the retention device which holds the mechanism in place.

Pull up on the handle until you feel the retention device break. Then pull the handle away from the Transfer Seat Base. Use your arms to push back away from the steering wheel.



Pull Up on the Safety Release Handle to Engage the Emergency Release

The Release Mechanism is designed only to release you from the full forward position. This mechanism will **not** allow the seat to be moved forward or rotated.

! WARNING

Avoid loss of vehicle control and an accident. Never operate the Safety Release Mechanism while the vehicle is moving.

Once activated, you must immediately return to your dealer to properly re-engage the Safety Release Mechanism. You cannot re-engage it yourself.

! WARNING

Failure to have the dealer re-engage the Safety Release Mechanism will result in seat movement while driving the vehicle, resulting in an accident, personal injury or death.

Transfer Seat Base Maintenance

With proper maintenance, your B&D Independence Transfer Seat Base is designed to provide you with many years of safe, independent mobility. It is a complex piece of equipment and may only be serviced by an Authorized Mobility Dealer.

B&D requires that you visit your mobility dealer 30 days after installation and then every six (6) months for service.

Between service intervals, continuously check your transfer seat base for:

- 'Crisp' response on all switch controls
- Any excess seat movement
- Proper Interlock operation

If you note anything unusual, immediately contact your dealer for repairs.

Make no modifications to the Transfer Seat Base. Only quality B&D Independence parts should be used when making repairs to your Transfer Seat Base. Non-approved parts will void the warranty.

On the following pages you will find a Maintenance Schedule. Failure to follow this maintenance schedule and properly maintaining your Transfer Seat Base can void your B&D Independence Warranty. More information on your warranty can be found at the back of this manual.

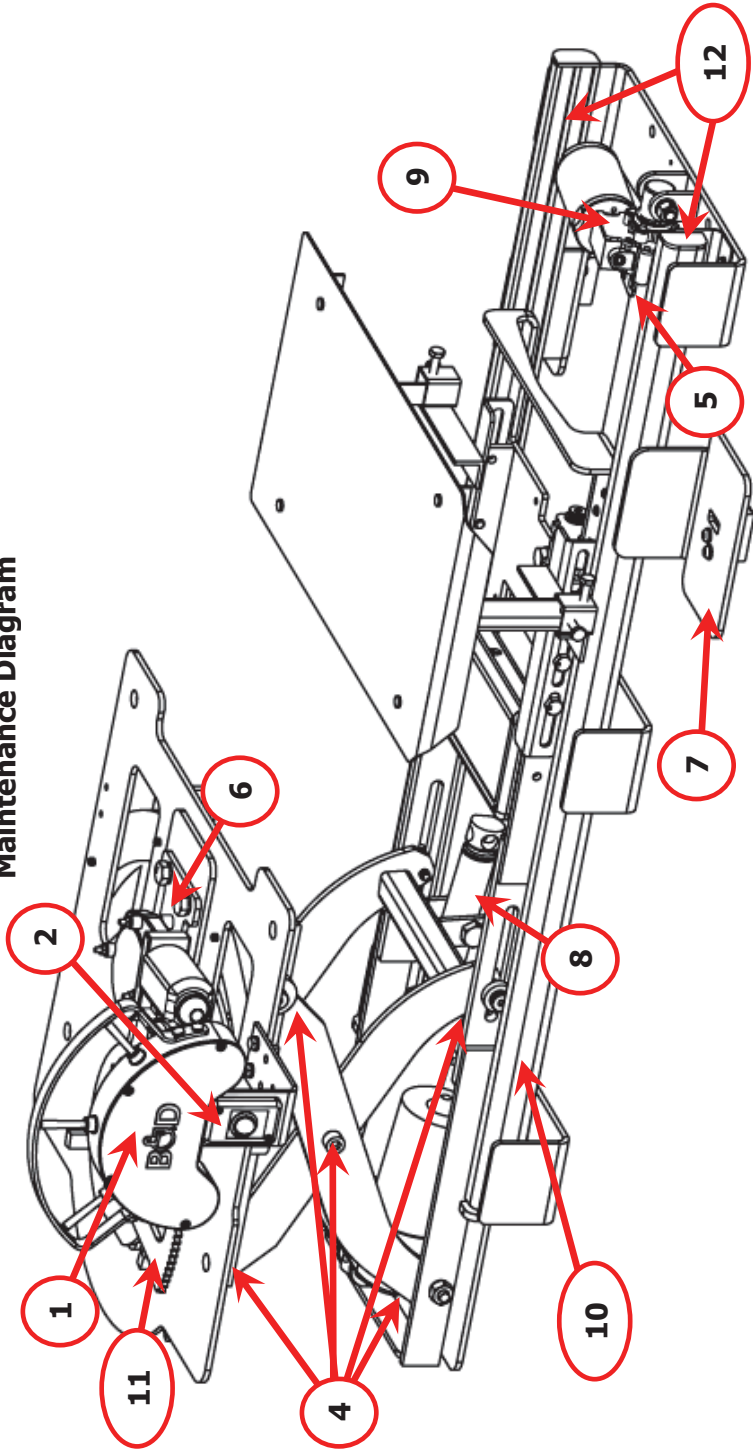
Maintenance Schedule

B&D Maintenance Items; Repair or Replace as Necessary		Required Inspection Interval											
		Months											
		1	6	12	18	24	30	36	42	48	54	60	
ELECTRICAL													
1	Switch Control(s) : Check for "Crisp" activation, loose connections, and proper operation												
2	Interlock Operation : Ensure the Interlock is fully operational, properly installed, and working properly												
3	Wire Harnesses : Check all wire harnesses for cuts, nicks, abrasion, or loose connections												
MECHANICAL													
4	Scissor Leg Pivot Bolts : Check locking nuts for tightness; check & adjust pivot bolts for correct tightness												
5	Safety Release : Check for correct operation, and verify it is secure and in the latched position												
6	Motor Mounting Plate(s) : Check for secure attachment & alignment												
7	Striker Plates: Check for looseness, misalignment with floor strikers												
8	Actuator : Check for any excess wobble, and lubricate the actuator drive screw												
9	Slide Motor : Check for smooth movement and straightness												
10	Slide Tracks : Clean and lubricate all slide tracks												
11	Swivel Gear : Check for any signs of excessive wear, or missing teeth												
12	UHMW Bearings : Check for any nicks, cuts or excessive wear												
13	Fasteners : Check and tighten as necessary												
14	Movement : Check for any excessive movement												
15	Sharp Edges : Check entire seal and seat base, and eliminate any sharp edges and pinch points												



WARNING : Failure to properly inspect your B&D Equipment could result in malfunction of the Equipment and/or the vehicle, resulting in an accident, personal injury or death to you, your passengers or bystanders.

Maintenance Diagram



* Items **3** and **13-16** run the entire Transfer Seat Base and are not located in one specific location

B&D Independence, Inc. Limited Warranty

LIMITED (24 month parts / 12 month labor) WARRANTY

COVERAGE. B&D INDEPENDENCE, INC. (hereinafter referred to as “B&D”) warrants that each B&D Product purchased from B&D directly and/or an authorized B&D dealer, when properly installed by a certified mobility dealer, used and maintained, will be free from defects in material and workmanship for a period of twenty four (24) months parts / twelve (12) months labor from the date of delivery to the first Purchaser (the "Owner"). The B&D twenty four (24) months parts / twelve (12) months labor warranty is referred to herein as “the limited warranty.” The Owner’s sole and exclusive remedy under this limited warranty for defects in a B&D Product shall be the repair or replacement, in B&D’s sole discretion, of the defective part or component. Labor charges for the repair and./or replacement of any components under this limited warranty will be reimbursed to the authorized B&D dealer as per the B&D Limited Labor Reimbursement Schedule.

NOT COVERED. This limited warranty does not apply to, and B&D shall have no liability or responsibility in respect of, damages or expenses relating to defects (1) caused by the failure to use, maintain or store the B&D Product as specified in the warranty, manuals or other literature supplied to the Owner, or (2) in components and parts furnished by third-party manufacturers and distributors which are covered by separate warranties directly from the manufacturers and distributors. B&D passes on, and hereby assigns, all warranties provided by such third-party component part manufacturers and distributors to the Owner.

This limited warranty also does not apply to, and B&D shall have no liability or responsibility in respect of, damages or expenses relating to:

- Improper installation, operation, use and/or maintenance of the B&D Product;
- a B&D Product purchased from any party other than from B&D directly or an authorized B&D dealer;
- a B&D Product, including components and systems, that has been altered, changed or modified from factory specifications;
- a Product placed in service more than six (6) months from the date of manufacture;
- equipment and accessories not installed by an authorized technician;

- the cost to remove, disassemble or reinstall components not installed by B&D that require removal to access parts covered by this limited warranty;
- transportation costs and expenses for taking the vehicle to and from the service center where the Warranty work will be performed.
- accidents, misuse, abuse, abnormal use, improper use, negligent use, willful misconduct, lack of reasonable or proper maintenance or storage, failure to protect the B&D Product from the elements, repairs improperly performed or replacement parts or accessories not conforming to B&D's specifications, use exceeding the recommended and permitted limits of the B&D Product, and/or normal wear or deterioration occasioned by the use of the B&D Product;
- any defect or non-conformity that has not been timely and promptly communicated in writing to B&D or to the authorized Dealer who sold the B&D Product, and in all cases, no more than thirty (30) days from the discovery thereof.
- damages caused by handling of the B&D Product during shipping of the same;
- mal-adjustment of the B&D Product or other acts, after shipment and/or after installation, which are beyond the reasonable control of B&D Product.
- any damage, cost or expense caused by Act of God; or
- loss of time, loss of use, inconvenience, travel expense, costs related to procuring any substitute Product, any incidental or consequential damages arising out of the non-use of the B&D Product, or compensation for inconvenience or loss of use while the B&D Product is being repaired or otherwise not available, or other matters not specifically covered hereunder.

PROCEDURE. In the event of a defect covered by this limited warranty, the Owner shall contact B&D or an authorized B&D dealer. The Product serial number, description of the problem and parts required must be disclosed. All warranty repairs, using genuine B&D parts, must be performed exclusively by B&D or at an authorized B&D Dealer's servicing location or at another servicing facility pre-approved in writing by B&D. To obtain warranty service for your B&D Product, including any allegedly defective part, your specific and detailed claim must be reported to and received by B&D or an authorized B&D dealer in accordance with the terms of this Limited Warranty and within the applicable warranty period. B&D must approve, in advance and in writing, all repairs covered under or performed pursuant to this limited warranty. All warranty claims must be accompanied by a Return Material Authorization (RMA) number provided by B&D. B&D may require the replaced parts to be returned for credit.

construed in accordance with the laws of Illinois only, and the parties expressly acknowledge and irrevocably agree that the sole and exclusive venue for and jurisdiction over any such claim or dispute shall be the courts of Wabash County, Illinois to the exclusion of the jurisdiction of the courts of any other place.

This limited warranty expressly incorporates, supersedes and/or replaces all representations set forth by B&D with regard to the B&D Product, including but not limited to B&D's product literature, marketing materials, advertisements and technical specifications.

All terms of this limited warranty are contractual, and not mere recitals, and constitute material terms of this limited warranty.

OTHER RIGHTS. Your acceptance of delivery of the warranted B&D Product constitutes your acceptance of the terms of this limited warranty. This warranty gives you specific legal rights, and you may also have other rights which vary from state to state. Nothing herein shall limit or prevent a **B&D Dealer** from giving its own warranty, provided that any warranty of Dealer shall be separately and conspicuously identified as being that of Dealer and not a warranty of **B&D**. However, **B&D** assumes no responsibility, liability or obligation for any warranty issued by the Dealer or any other entity.

ENTIRE AGREEMENT. This document contains the entire warranty given by B&D in respect of your B&D Product and there are no terms, promises, conditions or warranties regarding your B&D Product other than those contained herein. B&D specifically does not authorize any person to extend the time or scope of this warranty or to create or assume for B&D any other obligation or liability with respect to B&D Product.

construed in accordance with the laws of Illinois only, and the parties expressly acknowledge and irrevocably agree that the sole and exclusive venue for and jurisdiction over any such claim or dispute shall be the courts of Wabash County, Illinois to the exclusion of the jurisdiction of the courts of any other place.

This limited warranty expressly incorporates, supersedes and/or replaces all representations set forth by B&D with regard to the B&D Product, including but not limited to B&D's product literature, marketing materials, advertisements and technical specifications.

All terms of this limited warranty are contractual, and not mere recitals, and constitute material terms of this limited warranty.

OTHER RIGHTS. Your acceptance of delivery of the warranted B&D Product constitutes your acceptance of the terms of this limited warranty. This warranty gives you specific legal rights, and you may also have other rights which vary from state to state. Nothing herein shall limit or prevent a **B&D Dealer** from giving its own warranty, provided that any warranty of Dealer shall be separately and conspicuously identified as being that of Dealer and not a warranty of **B&D**. However, **B&D** assumes no responsibility, liability or obligation for any warranty issued by the Dealer or any other entity.

ENTIRE AGREEMENT. This document contains the entire warranty given by B&D in respect of your B&D Product and there are no terms, promises, conditions or warranties regarding your B&D Product other than those contained herein. B&D specifically does not authorize any person to extend the time or scope of this warranty or to create or assume for B&D any other obligation or liability with respect to B&D Product.

another
quality product of

B&D
INDEPENDENCE, INC.

speedy **LOCK**™



- Unoccupied scooter restraint
- Peace of Mind - In the event of a crash your scooter is properly secured
- Compatible with scooters up to 33 inches wide and up to 440 lbs
- Applications for use in side and rear entry minivans and full size vans
- Secures in under 15 seconds



another
quality product of
B&D
INDEPENDENCE, INC.

highTower[®]

Power Wheelchair Restraint System



- First ever side-mounted design
- Eliminates Ground Clearance Problems
- Improves Wheelchair Stability
- Increases Docking Visibility

See the HighTower in action at:

www.hightowerdocking.com



Contact Us

For further information about B&D Independence or our products:

Write to:

B&D Independence, Inc.
1024 Empire Street
Mt. Carmel, IL 62863

Phone: (618) 262 – 7117

Fax: (618) 263 - 3904

Email: info@bdindependence.com

Visit our website at: www.bdindependence.com

